

# Intelix DIGI-V3A2-R

## Installation Manual

---



## Introduction

When used in conjunction with a compatible send balun, distribution amplifier, or matrix switcher, the Intelix DIGI-V3A2-R active balun transmits component video (YPbPr) and stereo audio up to 1,000 feet over a single twisted pair cable. The DIGI-V3A2-R features adjustable video equalization.

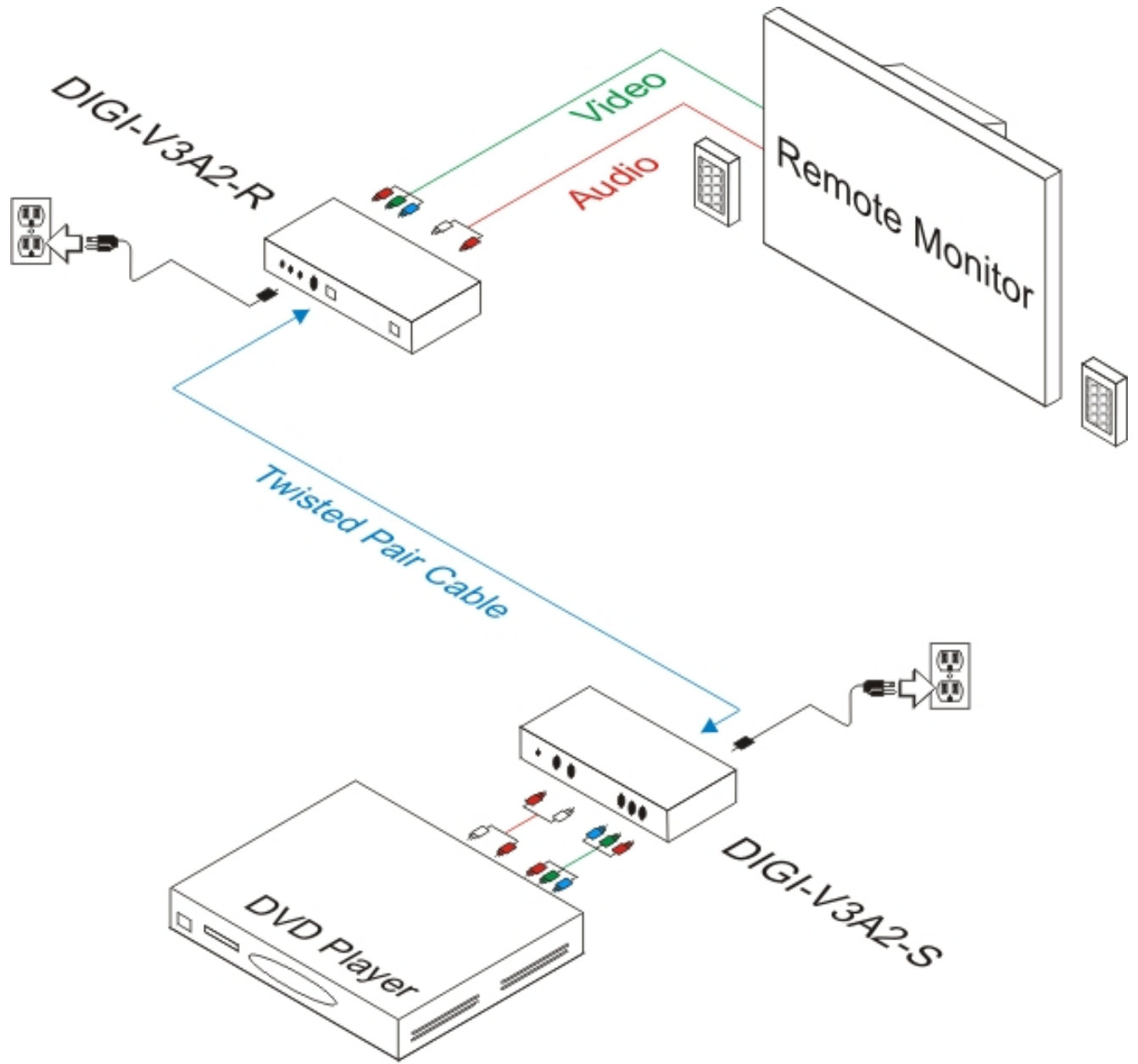
The DIGI-V3A2-R supports 1080i, 720p, 480i, and 480i video and provides 20 Hz to 20 kHz, hi-fidelity audio performance.

The system is powered on both the send and receive ends.

# Installation

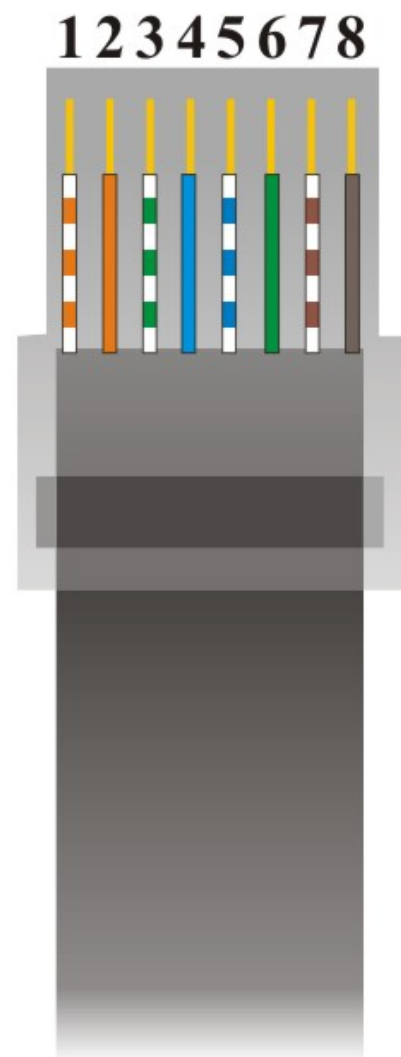
To install the Intelix DIGI-V3A2-R balun, perform the following steps:

1. Identify the pin configuration of the balun, transmission equipment, and RJ45 connectors on the twisted pair cabling. To eliminate crosstalk, the pin configuration must follow the EIA/TIA 568B standard. Please ensure that wiring is straight-through.
2. Power-off the connecting audio and video equipment.
3. Connect the transmission equipment (compatible send balun, distribution amplifier, matrix switcher, etc.) to the component video (YPbPr) output of the video source and the audio output of the audio source. Do **not** connect the 5V power supply.
4. Connect the DIGI-V3A2-R receive balun to the component video (YPbPr) input of the video destination and the audio input of the audio destination. Do **not** connect the 5V power supply.
5. Complete the connection between the transmission equipment and receive balun using one run of twisted pair cable. Ensure there are no split pairs or taps.
6. Connect the power supply to the transmission equipment.
7. Connect the 5V power supply to the receive balun.
8. Power-on the connecting audio and video equipment.
9. Verify picture quality. If necessary, adjust the signal using the blue, green, and red dials on the DIGI-V3A2-R receive balun.



Example System

<b>Pin</b>	<b>Color</b>
<b>1</b>	<b>Orange/White</b>
<b>2</b>	<b>Orange</b>
<b>3</b>	<b>Green/White</b>
<b>4</b>	<b>Blue</b>
<b>5</b>	<b>Blue/White</b>
<b>6</b>	<b>Green</b>
<b>7</b>	<b>Brown/White</b>
<b>8</b>	<b>Brown</b>



**EIA/TIA 568B Crimp Pattern Standard**

## Troubleshooting

Symptom	Causes	Possible Solutions
No signal	No continuity in video link	<p>Verify cable continuity between pairs of baluns.</p> <p>Verify the max distance has not been exceeded.</p> <p>Verify the audio, video, and control cables between the equipment and hardware are connected and pass signal.</p>
No signal	Power off	<p>Check power supplies of video equipment.</p> <p>Verify the LEDs on both the send and receive units are illuminated.</p>
No signal	Improper connection or swapped pairs	<p>Check that baluns are connected to correct video inputs and outputs.</p> <p>Verify both ends of the twisted pair cable conform to the EIA 568B crimp pattern.</p>
Unusual colors Rolling signal Horizontal video bars	Improper grounding or cable type	<p>Verify the source and destination devices are grounded. Different electrical circuits may cause a voltage differential on the building's electrical ground plain. The video display or source device may need to be grounded.</p>
Background pattern	EMI interference	<p>Identify possible radiating frequency sources (i.e.; wireless LANs, switching power supplies) and isolate them.</p> <p>Replace any unshielded twisted pair cable with shielded twisted pair cable.</p>

## Technical Specifications

<b>Video Bandwidth</b>	300 MHz
<b>Supported Signals</b>	YPbPr, Y/C, composite video, stereo audio
<b>Max Distance</b>	1,000 feet
<b>Audio Frequency Response</b>	20 Hz to 20 kHz
<b>Enclosure</b>	Metal
<b>Max Distance of AV Cables</b>	6 feet
<b>Skew Adjustment</b>	Front panel color (R,G,B) trim-pots on the DIGI-V3A2-R receive unit
<b>Status</b>	Front panel power LED
<b>Power</b>	5 VDC
<b>Dimensions</b>	5.25" x 3.38" x 1.00"
<b>Temperature</b>	Operating: 0° to 55°C Storage: -20° to 85°C Humidity: up to 95%
<b>Shipping Weight</b>	5.0 lbs.
<b>Warranty</b>	2 years
<b>Compliancy</b>	CE, RoHS
<b>Included Accessories</b>	One (1) receive balun (DIGI-V3A2-R) and one (1) 5VDC power supply
<b>Ordering Information</b>	DIGI-V3A2-R

**\*Distances, picture and audio quality may be affected by cable grade, cable quality, source and destination equipment, RF and electrical interference, and cable patches. Intelix specifications are based on straight-through cabling with standard-grade Cat 5.**

**Intelix LLC**

2222 Pleasant View Road  
Middleton, WI 53562  
[www.intelix.com](http://www.intelix.com)

Phone: 608-831-0880  
Toll-Free: 866-4-MATMIX  
[intelix@intelix.com](mailto:intelix@intelix.com)

