

Intelix DIGI-V3SD-S

Installation Manual



Introduction

When used with a compatible receive balun, the Intelix DIGI-V3SD-S active balun transmits component video (YPbPr), stereo audio, and IR or RS232 up to 1,000 feet over a single twisted pair cable.

The DIGI-V3SD-S supports 1080i, 720p, 480i, and 480i video and provides 20 Hz to 20 kHz, hi-fidelity audio performance.

The completed system is powered on both the send and receive ends.

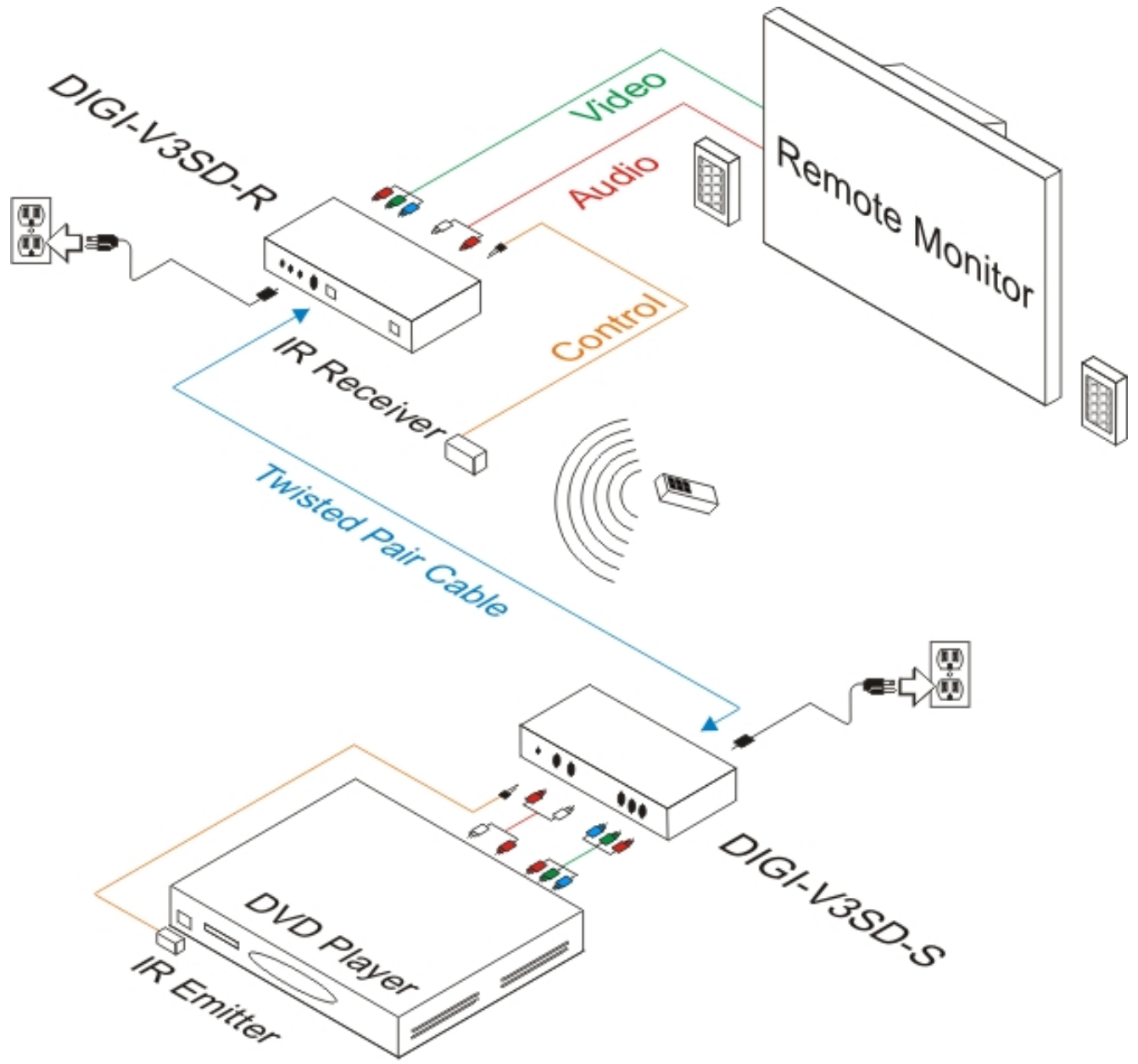
Installation

To install the Intelix DIGI-V3SD-S balun, perform the following steps:

1. Identify the pin configuration of the send balun, compatible receive balun, and RJ45 connectors on the twisted pair cabling. To eliminate crosstalk, the pin configuration must follow the EIA/TIA 568B standard. Please ensure that wiring is straight-through.
2. Power-off the connecting audio, video, and control equipment.
3. Connect the DIGI-V3SD-S send balun to the component video (YPbPr) output of the video source, the audio output of the audio source, and an IR or RS232 control source. Do **not** connect the 5V power supply.

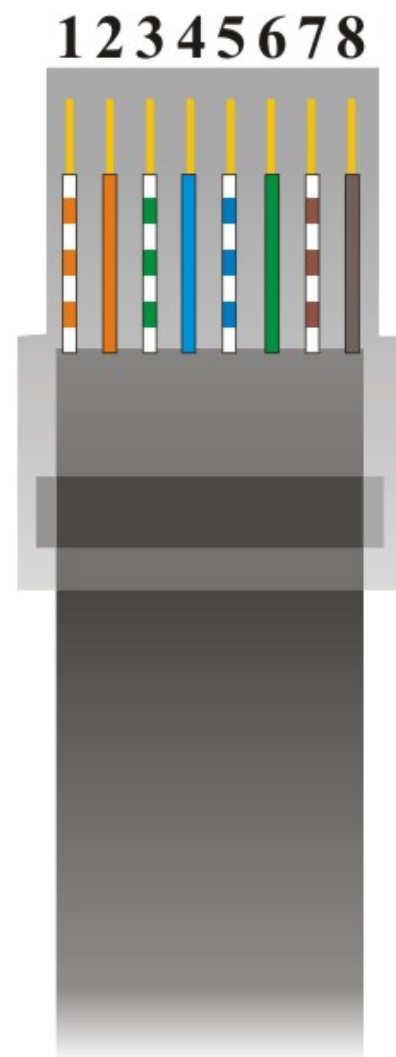
Note the DIGI-V3SD-S does not support IR and RS232 simultaneously.

4. Connect a compatible receive balun (typically a DIGI-V3SD-R) to the component video (YPbPr) input of the video destination, the audio input of the audio destination, and an IR or RS232 control destination. Do **not** connect the 5V power supply.
5. Complete the connection between the send and receive baluns using one run of twisted pair cable. Ensure there are no split pairs or taps.
6. Connect the 5V power supply to the send balun.
7. Connect the 5V power supply to the receive balun.
8. Power-on the connecting audio, video, and control equipment.
9. Verify picture quality. If applicable, adjust the signal using the blue, green, and red dials on the receive balun.



Example System

Pin	Color
1	Orange/White
2	Orange
3	Green/White
4	Blue
5	Blue/White
6	Green
7	Brown/White
8	Brown



EIA/TIA 568B Crimp Pattern Standard

Troubleshooting

Symptom	Causes	Possible Solutions
No signal	No continuity in video link	<p>Verify cable continuity between pairs of baluns.</p> <p>Verify the max distance has not been exceeded.</p> <p>Verify the audio, video, and control cables between the equipment and hardware are connected and pass signal.</p>
No signal	Power off	<p>Check power supplies of video equipment.</p> <p>Verify the LEDs on both the send and receive units are illuminated.</p>
No signal	Improper connection or swapped pairs	<p>Check that baluns are connected to correct video inputs and outputs.</p> <p>Verify both ends of the twisted pair cable conform to the EIA 568B crimp pattern.</p>
Unusual colors Rolling signal Horizontal video bars	Improper grounding or cable type	<p>Verify the source and destination devices are grounded. Different electrical circuits may cause a voltage differential on the building's electrical ground plain. The video display or source device may need to be grounded.</p>
No control	Simultaneous RS232 and IR	<p>Verify only IR <i>or</i> RS232 are being used.</p>
Background pattern	EMI interference	<p>Identify possible radiating frequency sources (i.e.; wireless LANs, switching power supplies) and isolate them.</p> <p>Replace any unshielded twisted pair cable with shielded twisted pair cable.</p>

Technical Specifications

Video Bandwidth	300 MHz
Supported Signals	YPbPr, Y/C, composite video, stereo audio, IR, RS232
Max Distance	1,000 feet
Audio Frequency Response	20 Hz to 20 kHz
Enclosure	Metal
Control	IR or bi-directional RS232
Max Distance of AV Cables	6 feet
Status	Front panel power LED
Power	5 VDC
Dimensions	5.25" x 3.38" x 1.00"
Temperature	Operating: 0° to 55°C Storage: -20° to 85°C Humidity: up to 95%
Shipping Weight	5.0 lbs.
Warranty	2 years
Compliance	CE, RoHS
Included Accessories	One (1) send balun (DIGI-V3SD-S) and one (1) 5VDC power supply
Ordering Information	DIGI-V3SD-S

***Distances, picture and audio quality may be affected by cable grade, cable quality, source and destination equipment, RF and electrical interference, and cable patches. Intelix specifications are based on straight-through cabling with standard-grade Cat 5.**

Intelix LLC

2222 Pleasant View Road
Middleton, WI 53562
www.intelix.com

Phone: 608-831-0880
Toll-Free: 866-4-MATMIX
intelix@intelix.com

