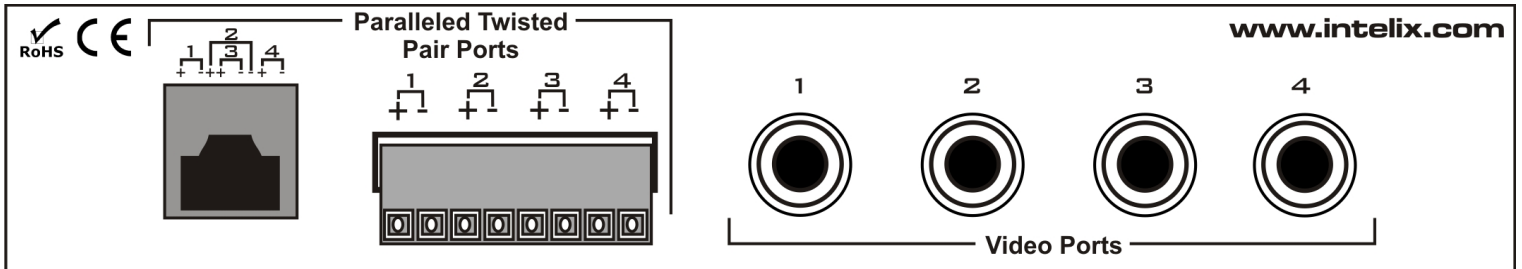


# Intelix S-BB4

## Installation Manual

---



## Introduction

The Intelix S-BB4 four channel breakout box is a cost-effective, versatile tool for composite video distribution over twisted pair cable. The unit consolidates four video signals onto a single twisted pair cable and then distributes them at a remote location. In addition, the S-BB4 also features local tap outputs, providing individual video breakout connections. When used with compatible Intelix baluns, the S-BB4 sends or receives video from remote video equipment, such as cameras, monitors, DVRs, video sequencers, multiplexers, switchers, and servers.

The S-BB4 features a wave filter and anti-static design, provides transient protection, conforms to IEC 61000-4-2:1995 standards, and supports “up-the-coax” PTZ control signals.

**When signal quality matters, choose Intelix.**

# Installation

The Intelix S-BB4 is an extremely flexible device. The RJ45 and terminal strip outputs are paralleled, allowing the integration and distribution of compatible Intelix twisted pair extenders. In addition, the BNC connectors are also paralleled, allowing the integration of audio/video sources and destinations. **The S-BB4 is not a distribution amplifier or splitter**, it routes inputs to outputs extended distances over twisted pair cable.

**Caution: Do not attempt to disassemble or alter the balun housing. There are no user-serviceable parts inside the unit. Doing so will void your warranty.**

1. Power off the source and destination devices which will be connected to the unit.
2. Verify the modular outlets and cross connects to which you will connect the S-BB4 are configured properly and labeled appropriately to identify the circuit.

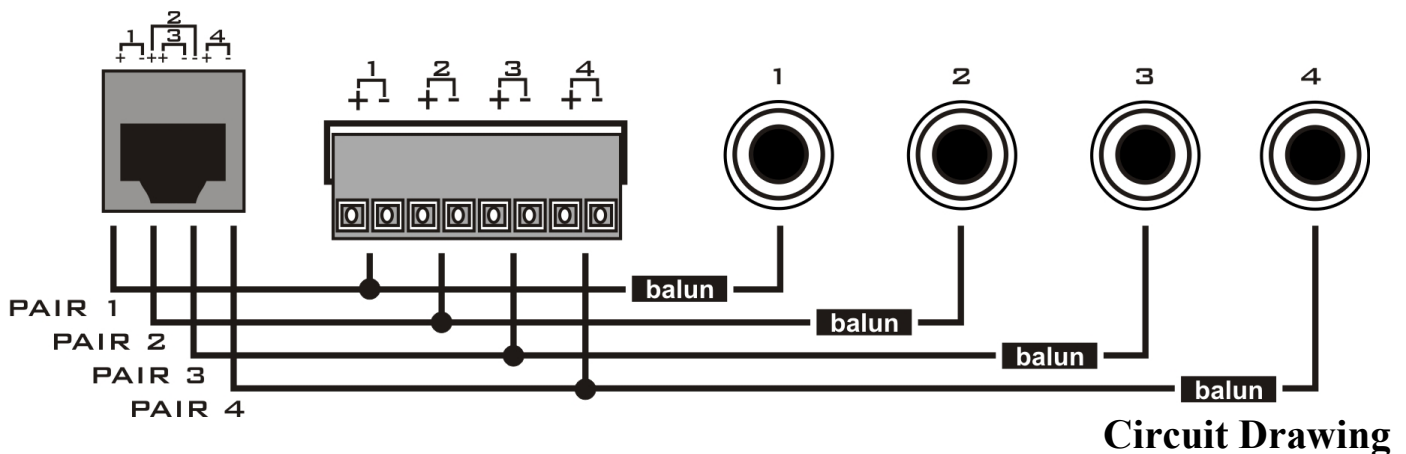
**Caution: To minimize the possibility of equipment damage from electrostatic discharge (ESD), all source and destination equipment must be powered off during installation. This includes signal extenders, splitters, and switches.**

3. Verify the desired twisted pairs are not being used for other LAN or telephone equipment.

**Caution: Do not connect the unit to a telecommunication outlet wired to unrelated equipment. Doing so may damage the unit or any connected equipment. Ensure all connected twisted pair cabling is straight-through (point-to-point).**

4. Connect the S-BB4 to compatible source equipment, destination equipment or twisted pair baluns.
5. Power on the source and destination equipment.

**Note: For your convenience, it is recommended that you uniquely mark the ends of the twisted pair cable before pulling them through a wall or conduit.**



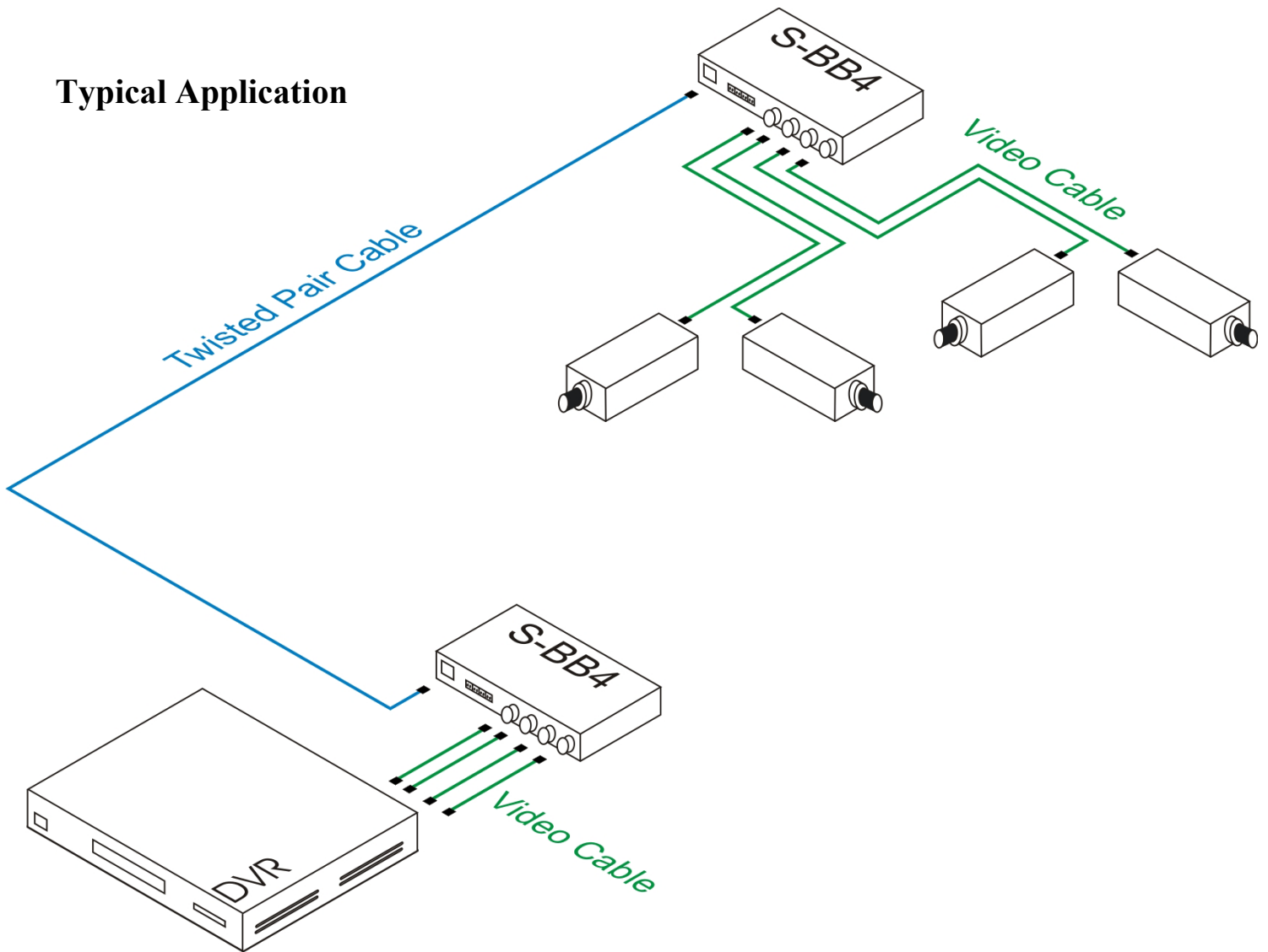
## Troubleshooting

Symptom	Probable Causes	Possible Solutions
Image not stable	Defective link or equipment	Verify source and destination equipment and cabling
Unusual colors	Reversed polarity	Verify RJ45 pinout conforms to EIA/TIA 568A or 568B standard
Smearing or weak video contrast	Exceeded cable distance	Verify cable grade and total cabling distance
Horizontal bars moving upward in background	Ground loop problem	Verify the source and destination equipment are at the same ground potential. Ground the source and destination equipment.
Shaking image	Ground loop problem	Verify the source and destination equipment are at the same ground potential. Ground the source and destination equipment.
Variance in hue	EMI interference	Identify possible radiating frequency sources and isolate them from the cabling. Use shielded twisted pair cabling.
Background pattern	EMI interference	Identify possible radiating frequency sources and isolate them from the cabling. Use shielded twisted pair cabling.

## Technical Specifications

<b>Maximum Distance</b>	Active video: 1,850 feet Passive video: 1,000 feet Control: 1,000 feet
<b>Bandwidth</b>	DC to 8 MHz
<b>Maximum Input</b>	1.1 Vp-p, 75 ohms
<b>Insertion Loss</b>	Less than 2 dB over the frequency range
<b>Return Loss</b>	Greater than 15 dB over the frequency range
<b>Protection</b>	2KV (10/700 $\mu$ s) IEC6100-4-5/1955 (GB/T) 1726,5-1999
<b>Cable</b>	Unshielded Cat 5, Cat 5e, Cat 6 or better
<b>Compatible Intelix Baluns</b>	S-V1ST                      S-V1P-R                      S-V16AR S-V1CP                      S-V1P-T
<b>Temperature</b>	Operating: 0 to 55 C. Storage: -20 to 85 C. Humidity: up to 95% non-condensing
<b>Warranty</b>	2 years
<b>Order Information</b>	S-BB4: one breakout box and rack tray mounting hardware

## Typical Application



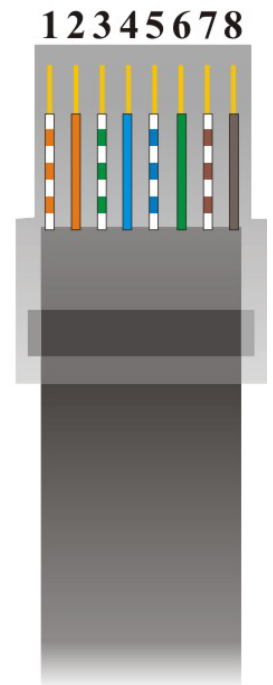
Distances and picture quality may be affected by cable grade, cable quality, source and destination equipment, RF and electrical interference, and cable patches. Intelix specifications are based on straight-through cabling with standard-grade Cat 5.

**Intelix**  
 2222 Pleasant View Road  
 Middleton, WI 53562

608-831-0880 | phone  
 866-4-MATMIX | toll-free  
 608-831-1833 | fax

[www.intelix.com](http://www.intelix.com)

Pin	Color
1	Orange/White
2	Orange
3	Green/White
4	Blue
5	Blue/White
6	Green
7	Brown/White
8	Brown



**EIA/TIA 568B Crimp Pattern Standard**