

Intelix V1A2 Video Balun

Technical Specifications

Technical Specifications

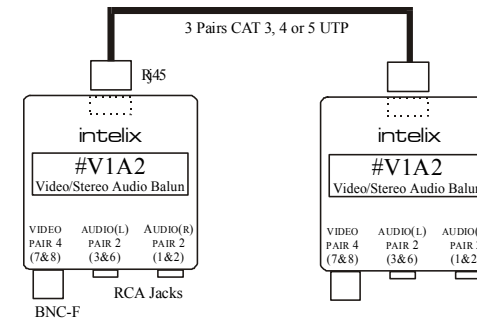
Environment	Composite video and unbalanced audio for the consumer and commercial market	
Devices	DVD, VCR, camcorders, audio receivers, audio amplifiers, splitters, AV switchers, AV mixers, and other analog audio/video equipment featuring coaxial input or output with BNC or RCA connectors	
Bandwidth	Video:	DC to 8 MHz
	Audio:	20 Hz to 50 KHz
Maximum Video Input	1.1 Vp-p	
Insertion Loss	Less than 2 dB per pair over the frequency range from DC to 8 MHz	
Return Loss	Greater than 15 dB over the frequency range from DC to 8 MHz	
Com. Mode Rejection	Greater than 40 dB @ 8 MHz	
Impedance	RCA side (Video):	75 ohms
	RCA Side (Audio):	600 ohms
	RJ45 side:	100 ohms
Cable	UTP:	24 gauge or lower solid copper twisted pair wire
	Impedance:	100 ohms at 1MHz
	Maximum capacitance:	20 pf/foot
	Attenuation:	6.6 dB/1000 ft at 1 MHz
	RCA:	Standard RCA phono cable
Distance	Color:	1500 feet (Cat 3 UTP) 2200 feet (Cat 5 UTP)
	B&W:	2000 feet (Cat 3 UTP) 2500 feet (Cat 5 UTP)
Connectors	One (1) BNC connector Two (2) RCA connectors One (1) RJ45 jack	
Pin config.	<u>Signal</u>	<u>RJ45 Active Pins</u>
	Video:	7 & 8
	Audio 1:	1 & 2
	Audio 2:	3 & 6
Dimensions	2.4" x 2.4" x 1.0"	
Warranty	2 Years	
Ordering Information	V1A2, V1A2-Pac	



The V1A2 Video Stereo Audio Balun transmits composite baseband video and audio signals via unshielded twisted pair (UTP) cable in a Structured Cabling System. The V1A2 is used in pairs to transmit standard NTSC, SECAM, and PAL composite video. It converts a composite baseband video and 600-ohm stereo audio signal

from 75 ohm coax to UTP.

The V1A2 is connected to the structured cabling via a modular wall jack in the work area. It is equipped with a BNC 75 ohm connector and two standard RCA phono jacks at one end, as well as an RJ45 jack at the other end.



Applications

The V1A2 is designed for use with CCTV cameras and monitors, videocassette recorders (NTSC, PAL, or SECAM), video-conferencing, and other audio/video equipment. Applications include: security/surveillance monitoring, video bulletin boards, financial information services, news services, education, video training, airport displays, video capture, stock exchange, hotels, and convention centers.



2222 Pleasant View Road, Suite #1
Middleton, WI 53715
608-831-0880
Fax: 608-831-1833
Intelix@intelix.com
www.intelix.com